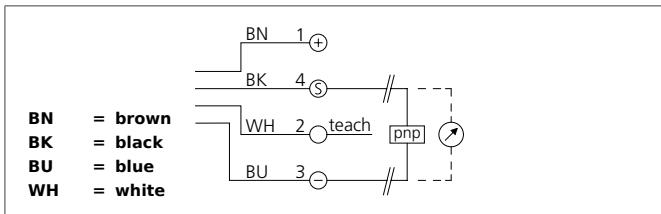


USTI 12 TFB 150 A-IBSL

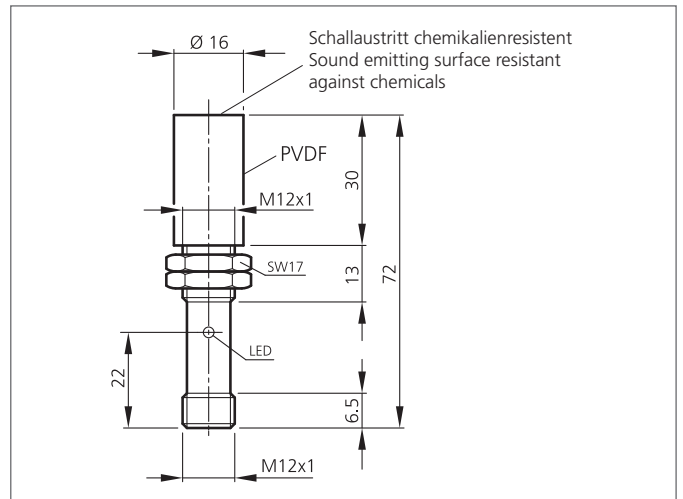
Ultrasonic Sensor

- Housing resistant against aggressive media and gases
- Narrow detection beam / small blind zone
- Analog output: increasing/decreasing, teachable
- Small design
- Scanning does not depend on surface



Safety instructions

The Instruments are not to be used for safety applications, in particular applications in which safety of persons depends on proper operation of the instruments.
These instruments shall exclusively be used by qualified personnel.



TECHNICAL INFORMATION (typ.)	+20°C, 24V DC
Operating principle	Ultrasonic sensor
Evaluation	analog
Size	M12 x 1 (thread)
Design	screw
Service voltage	15 ... 30 V DC
Internal power consumption	30 mA
Operating distance	20 ... 150 mm
Sensitivity adjustment	Teach key
Analog output	0 ... 10 V
Operating frequency	400.000 Hz
Ripple	10 %
Linearity analog output	< 1 % / Sn max.
Repeatability	0,5 %
Ambient temperature	-25 ... +70 °C
Load resistance	< 1.000 Ω
Insulation voltage endurance	500 V
Protection class	IP 65
Casing material	brass nickel plated PVDF / polyamide
Connection	Connector, M12, 4-poled